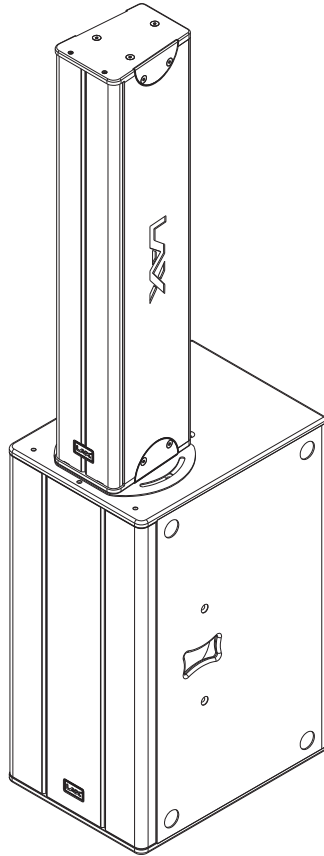




# USER'S MANUAL



## **Professional Active Loudspeaker**

This User Manual for reference only, no further notice if any contents alter.

---

# NOTES

Please read this manual carefully before operate the device.  
Keep this manual in a safe place for reference.

## WARNING

To avoid causing shock, short cut, damage, fire or any other dangers which lead to serious injury or even death, please ensure follow below notes. These notes include but not limited to below condition:

### POWER SUPPLY / POWER CORD

- Keep the power cord away from heat sources, buckled or damaged. Do not place heavy objects on the device, or place the device in places where may causing trampled or crushed.
- Only use specify rated voltage of the device.
- Only use attachments power cord and plug.
- Regular checking and cleaning dirt of the power plug.
- Please ensure connect with grounded power sockets. Any disconnection of the grounding may cause electric shock.

### DO NOT UNCLOSE THE DEVICE

Do not open the device, remove any internal parts or make any modifications. Stop using if any abnormal occur.

### FIRE

Please do not place burning objects on the device, may causing a fire hazard.

### THE DEVICE IS REQUIRED MAINTENANCE IN THE CONDITION BELOW

- If any of below condition occur, please disconnect the power supply by pulling the power plug. Ask professional person for maintenance.
  - Wore or damaged power cord or plug.
  - Abnormal smells or smokes.
  - Articles fall into the device.
  - Suddenly no sounds during operating the device.

## CAUTIONS

To avoid causing any personal injury, facility or property damage, ensure follow below notes. These notes include but not limited to below condition:

### POWER SUPPLY / POWER CORD

- Please grab the plug when pulling power plug from the device or power socket. Pulling power cord directly may cause damage.
- The device should be disconnected when unused for long periods of time or during lightning storms.

### MOUNTED POSITION

- Do not place this device on unstable place, or might cause sudden turnover.
- If no safe fixation of the device, please do not installed in places even flat surface where easy falling down.
- Please do not use handles of the device for suspension installation, may causing damage or personal injury.
- During transportation or moving, make sure the device disconnected.
- Before installation, please contact with professional maintenance personnel, and must follow below notes:
  - Choose suitable installation site where can withstand the weight of the device.
  - Avoid places where constant vibration.
  - Use the correct tools for installation.
  - Inspect this device regularly.

### CONNECTION

- Before connect this device with any other equipment, please turn off power switch of all the equipment.
- Please tune all the volume to minimum before turn on or off the power switch of all the equipment.

### MAINTENANCE

Please ensure pull the power plug from the AC power socket before cleaning this device.

### OPERATIONS

- Do not insert fingers or hands in any ventilation slits of this device.
  - Do not press body or place heavy objects on this device, avoid operating button, switch or socket excessively and forcibly.
  - Do not use this device under very high or uncomfortable volume level for long periods of time, otherwise may cause permanent ear damage. When encounter deafness or tinnitus, please seek medical treatment.
  - Stop using this device when output sound distortion. Continue using under such status the device may overheat and cause a fire hazard.
-

# CONTENT

Product major feature .....	01
Product technical parameters .....	02
Product Frequency Response .....	03
Main operational key and function .....	04
Product Dimension .....	05
System configuration .....	06
Remarks .....	07

---

# INTRODUCTION

Thank you very much for your purchasing LAX active loudspeaker product.  
In order to receive better performance of the product, please read this manual carefully. Keep this manual in a safe place for your future reference.

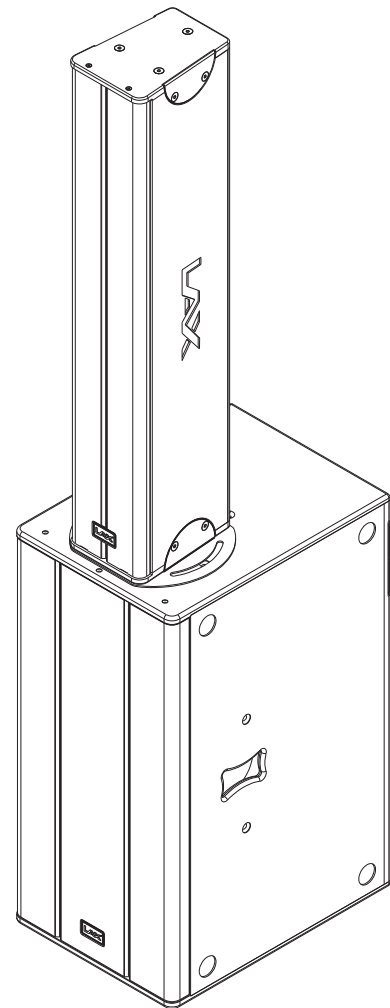
## Application

Conference hall, Banquet hall, Pub, Church, Portable application

## Product major feature

This series product integrate high quality DSP processor with 2 input, 3 or 2 output. Sampling frequency reach up to 96kHz, USB control interface, 120dB input and 117dB output dynamic range, 10Hz - 40kHz frequency range. Each input and output channel have 8 parameters filters, each parameter filter can set as Bell, Shelving, Notch and All-pass mode, each output and input channel with 20ms delay.

This product use Butterworth, Bessel and Linkwitz-Riley filters, ensure high fidelity sound quality and flatness frequency response curve. 80 presets expand the functions of the product, and protection circuit ensure the safety of horn unit, amplifier and supply unit. Maintaining functionality better improve the performance and stability of the components, prevent the system being distortion even under harsh environments.



## Product technical parameters

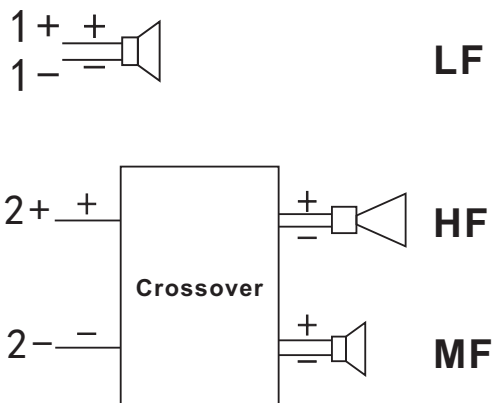
	<b>Full range</b>	<b>Active Ultra-low Frequency</b>
Frequency Response	60Hz-20KHz(-10dB)	45Hz-300Hz(-10dB)
Norminal Dispersion (HxV)	(H) 90° (V) 上 15° 下 25°	/
Sensitivity (1W/1m)	LF: 91dB MHF: 96dB	100dB
Max SPL(1m)	LF:113/123dB MHF:116/130dB (continuous / peak) (continuous / peak)	124/134dB (continuous / peak)
Power Rating(AES)	LF: 240W MHF: 120W	LF: 600W
Norminal Impedance	LF: 8Ω MHF: 6Ω	4Ω
Drive Unit	6x5" Bass	2x12" Bass
Connect Socket	2 NEUTRIK NL4MP 4-Core Socket LF: 1+1- MHF: 2+2-	1 NEUTRIK NL4MP 4-Core Socket CH2: 1+1- CH3: 2+2-
Rigging	Dedicated Connector	Dedicated Connector
Digital Active Module	/	Digital Active Module
Signal Input	/	2pcs XLR Female (balance) TRS input
Signal Output	/	2pcs XLR Male
High-effect 3-channel Class D amplifier	/	1* 1500W@8Ω+ 2*600W@4Ω
AC Input	/	~220V-230V 50Hz
Dimension (WxDxH)	184x247x1055mm	401x550x850mm
Net Weight	22.5 kg	42.5kg

\* This User Manual for reference only, no further notice if any contents alter.

## Frequency Response

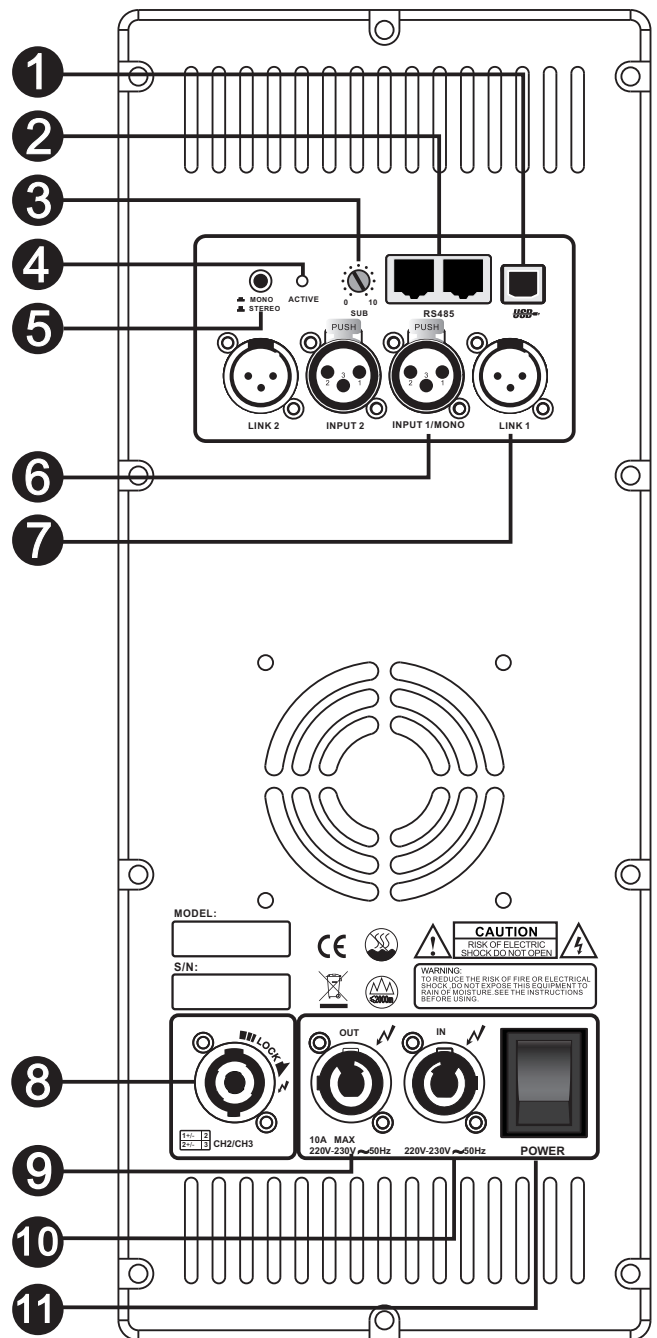
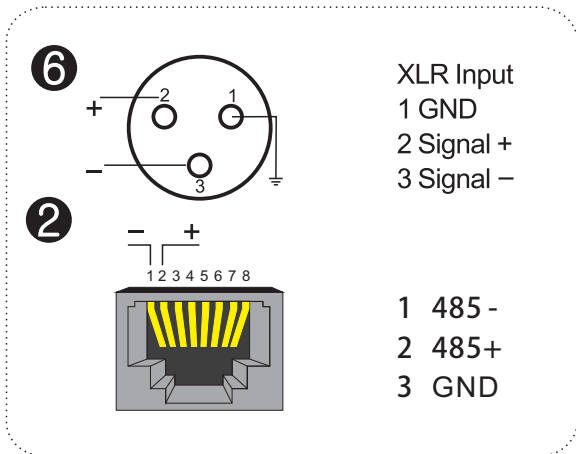


## 6×5"–Full range connection



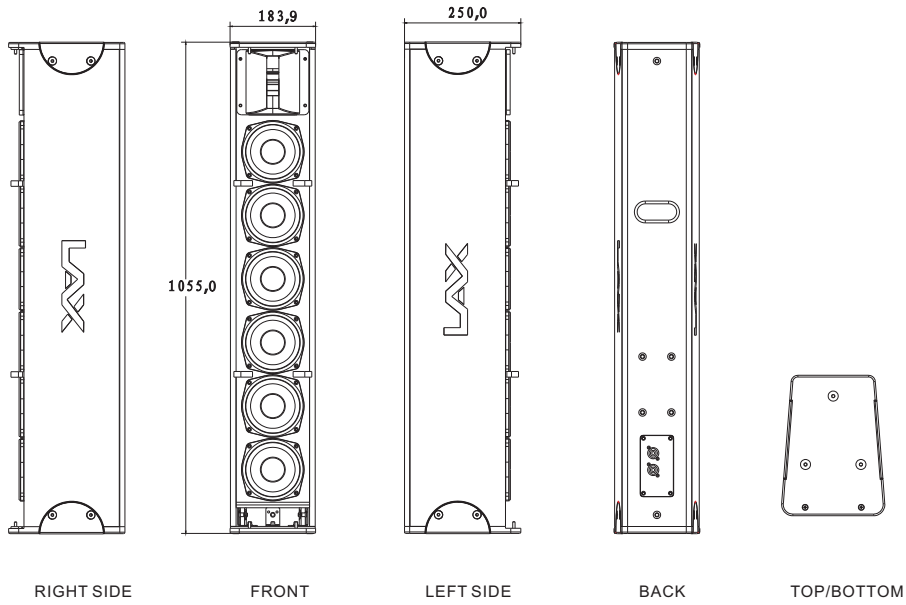
# Main operational key and function

- ❶ USB data interface
- ❷ RS485 data interface
- ❸ Volume ace
- ❹ Indicator lamp
- ❺ Mode switch
- ❻ Input XLR
- ❼ Output XLR
- ❽ 4-core speakon output
- ❾ Power output
- ❿ Power input
- ⓫ Power switch

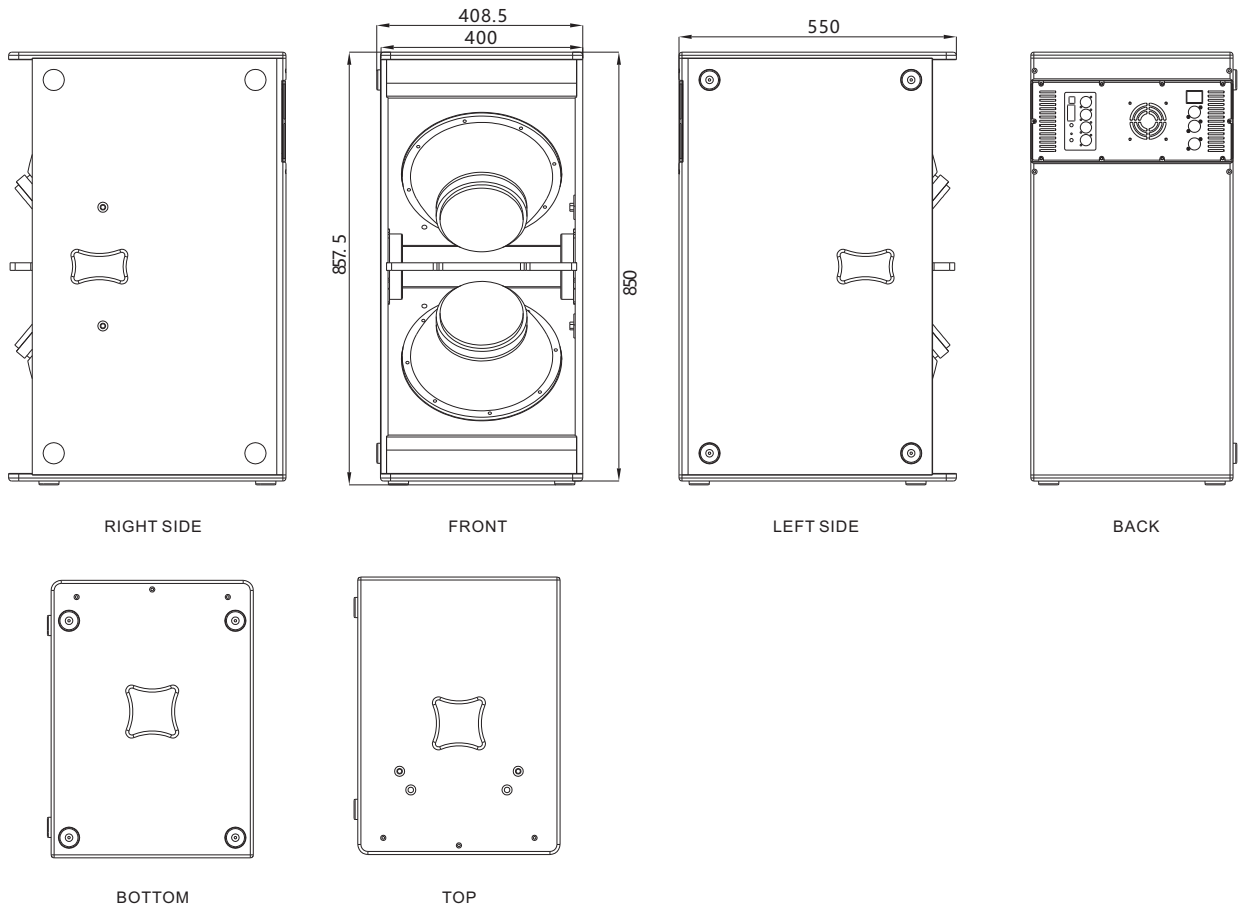


# Product Dimension

## 6×5"–Full range

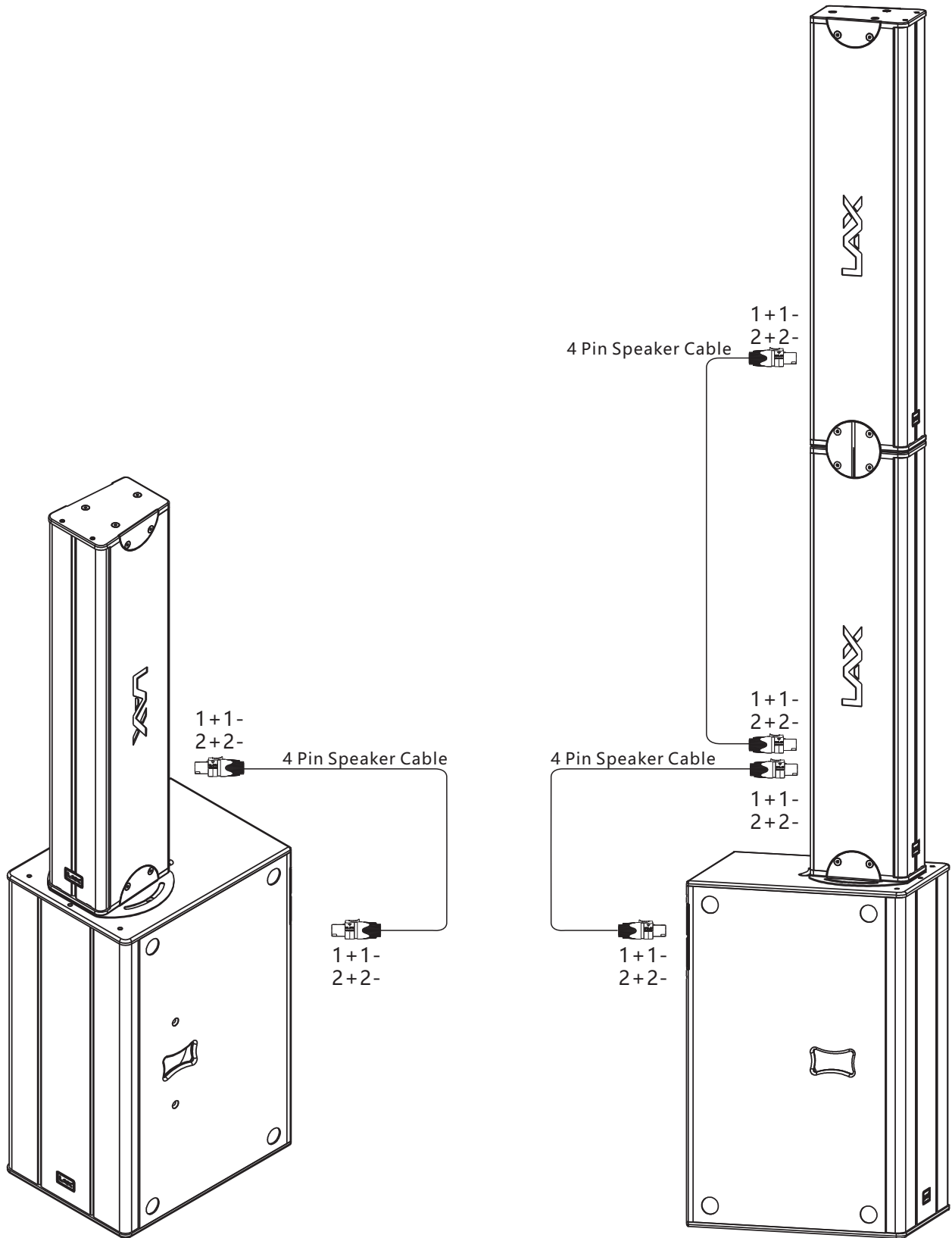


## 2×12"–Active Ultra-low Frequency





# system configuration



---

**NOTES:**

Dotted lines for note-taking.





## CERTIFICATION

Model

--

QA

--

Date

--



Guangzhou Ruifeng Digital Technology Co. , Ltd

Tel: +86 20 39280288

Fax: +85 20 39280238

Website: [www.lax-pro.com](http://www.lax-pro.com)

Address: NO.10 Shilou Section, Shilian Road,  
Shilou Town, Panyu District,  
Guangzhou City, China 511447