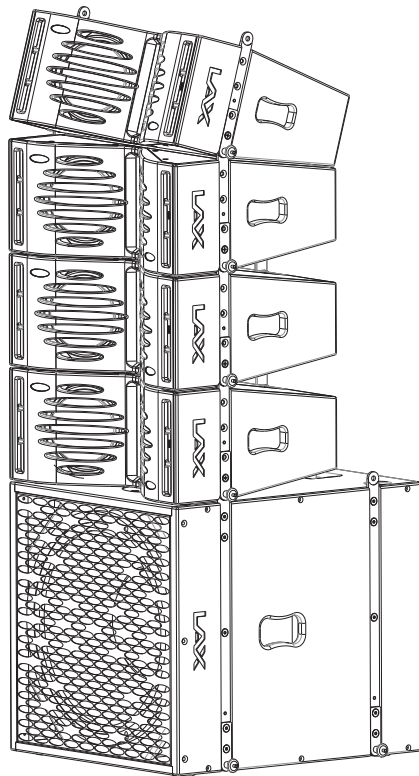




# USER MANUAL



## Professional Active Loudspeaker

This User Manual for reference only, no further notice if any contents alter.

# NOTES

Please read this manual carefully before operate the device.  
Keep this manual in a safe place for reference.

## WARNING

To avoid causing shock, short cut, damage, fire or any other dangers which lead to serious injury or even death, please ensure follow below notes. These notes include but not limited to below condition:

### POWER SUPPLY / POWER CORD

- Keep the power cord away from heat sources, buckled or damaged. Do not place heavy objects on the device, or place the device in places where may causing trampled or crushed.
- Only use specify rated voltage of the device.
- Only use attachments power cord and plug.
- Regular checking and cleaning dirt of the power plug.
- Please ensure connect with grounded power sockets. Any disconnection of the grounding may cause electric shock.

### DO NOT UNCLOSE THE DEVICE

Do not open the device, remove any internal parts or make any modifications. Stop using if any abnormal occur.

### FIRE

Please do not place burning objects on the device, may causing a fire hazard.

### THE DEVICE IS REQUIRED MAINTENANCE IN THE CONDITION BELOW

- If any of below condition occur, please disconnect the power supply by pulling the power plug. Ask professional person for maintenance.
  - Wore or damaged power cord or plug.
  - Abnormal smells or smokes.
  - Articles fall into the device.
  - Suddenly no sounds during operating the device.

## CAUTIONS

To avoid causing any personal injury, facility or property damage, ensure follow below notes. These notes include but not limited to below condition:

### POWER SUPPLY / POWER CORD

- Please grab the plug when pulling power plug from the device or power socket. Pulling power cord directly may cause damage.
- The device should be disconnected when unused for long periods of time or during lightning storms.

### MOUNTED POSITION

- Do not place this device on unstable place, or might cause sudden turnover.
- If no safe fixation of the device, please do not installed in places even flat surface where easy falling down.
- Please do not use handles of the device for suspension installation, may causing damage or personal injury.
- During transportation or moving, make sure the device disconnected.
- Before installation, please contact with professional maintenance personnel, and must follow below notes:
  - Choose suitable installation site where can withstand the weight of the device.
  - Avoid places where constant vibration.
  - Use the correct tools for installation.
  - Inspect this device regularly.

### CONNECTION

- Before connect this device with any other equipment, please turn off power switch of all the equipment.
- Please tune all the volume to minimum before turn on or off the power switch of all the equipment.

### MAINTENANCE

Please ensure pull the power plug from the AC power socket before cleaning this device.

### OPERATIONS

- Do not insert fingers or hands in any ventilation slits of this device.
- Do not press body or place heavy objects on this device, avoid operating button, switch or socket excessively and forcibly.
- Do not use this device under very high or uncomfortable volume level for long periods of time, otherwise may cause permanent ear damage. When encounter deafness or tinnitus, please seek medical treatment.
- Stop using this device when output sound distortion. Continue using under such status the device may overheat and cause a fire hazard.



# LAX Warranty Card

## Dear user:

LAX product which produced by RUIFENG Corporation (RUIFENG in brief) are ensured with high quality by strict quality inspection and control before delivery. RUIFENG will provide warranty according terms mentioned in this warranty card. The warranty is void if warranty card or purchasing invoice is missed. The service is suggested to start by calling our service No: (86 20) 3928 0338 in advance.

## Warranty Terms And Conditions:

- A. This warranty is valid within one year from date of sale (except some occasions specially mentioned as below), and covers for manufacturing defects and all matters concerning the workmanship of LAX products.
- B. Warranty period for particular item:  
1. Offering one month free change service and one year warranty for amplifiers, mixers or processors.  
2. Offering three month warranty for which categorized as spare parts:  
1). The voice coil and diaphragm of microphone.  
2). The voice coil and diaphragm of speaker.
- C. RUIFENG will not be responsible for any warranty if / for:  
1). The product is not distributed by RUIFENG or RUIFENG authorized dealers/distributors. 2). Fake products.  
3). Products without intact serial number or serial number is changed, deleted or transferred or has not been recorded in the company's record. 4). No security label.
- D. The warranty becomes void if product problems result from:  
1). Improper operation and misuse (overloading or burned with feedback). 2). Careless moving. 3). Terrible conditions (over-high input voltage and humidity)  
4). Irresistible situation such as STORM or EARTH QUAKE...etc. 5). Repaired or responsible by unofficial technicians outside RUIFENG. 6). Failure assemble/installation from the instruction of manufacturer.
- E. The warranty applies only on the cost of repair or replacement and does not include the relevant freight charges.
- F. RUIFENG is not responsible for the loss caused by equipment or component damaging.
- G. RUIFENG charges reasonably if warranty period expired.
- H. The warranty card is subject to change without prior notice.

Purchaser Name	Manufacturer	Dealer Name	Dealer Address

Purchase Date	Model	Serial No	Invoice No

TEL: (86 20) 3928 0338

FAX: (86 20) 3828 0123

E-mail: lax@lax-pro.com

Http://www.lax-pro.com

Add: No. 10, Shilou Section, Shilian Road, Shilou Town, Panyu District, Guangzhou, China

Note: please retain this part for your records.

# Contents

<b>Product introduction</b> .....	01
<b>Product technical parameters</b> .....	02
<b>Product curve</b> .....	03
<b>Operation keys and functions on the rear panel</b> .....	04
<b>Product outline drawing</b> .....	05
<b>Product combination and line</b> .....	06~07

## **Introduction :**

Congratulations! You choose lax product, you choose the right thing. Security regulations as stated before have to be obeyed when servicing the appliance.

LAX professional audio amplifier, could meet the actual situation of amplified field.

This product combine advanced circuits, outstanding cooling system and appliance which make sure the operational safety.

## **Application**

Conference hall, multi-function hall, auditorium, banquet hall, mobile performance, etc

## **Product major feature**

**2×6.5" line array speaker**

1. 2×6.5" line array speaker is a miniaturized and flexible sound amplification system, bringing greater convenience to performance. The strict cylindrical sound source waveguide and the speaker distance meet the performance requirements of the stack +6dB line array. Mid - and low-frequency phase correctors, diffusion horn and compression chamber are integrated.

2. The appearance panel is available in a variety of color schemes, including LAX yellow and deep purple on top of the traditional black.

3. A compression drive unit is used to load the linear waveguide for high frequency, and its outlet happens to form a common cell diffusion structure with the compression cavity of medium frequency. Neodymium magnetic high sensitivity double 6.5-inch custom unit is adopted for low and medium frequency. In order to enhance its sensitivity, the compression chamber is carefully designed. Its outlet end is an integrated panel horn, which makes its pointing performance more smooth.

4. It can be matched with single 15-inch bass to achieve the combination of medium and small amplifying sound. With flexible combination form, 2+1 support combination, 4+ 1 stacking combination, 4+2 hanging combination.

**Single 15-inch active subwoofer speaker:**

1. Built-in audio processing module. A high speed DSP with a sampling frequency of 96KHz/24bit was used for FIR correction. Cooperate with multiple protection system: peak protection, effective value protection, dynamic compression, overload, short circuit, etc. USB and network interfaces (485 protocol). Easy and flexible remote adjustment of speaker system parameters with LAX special LAXCON control software. Power dynamic sufficient, 1500W@8 Ohm \*1+600W@4 ohm \*2 in total 3 independent channels.

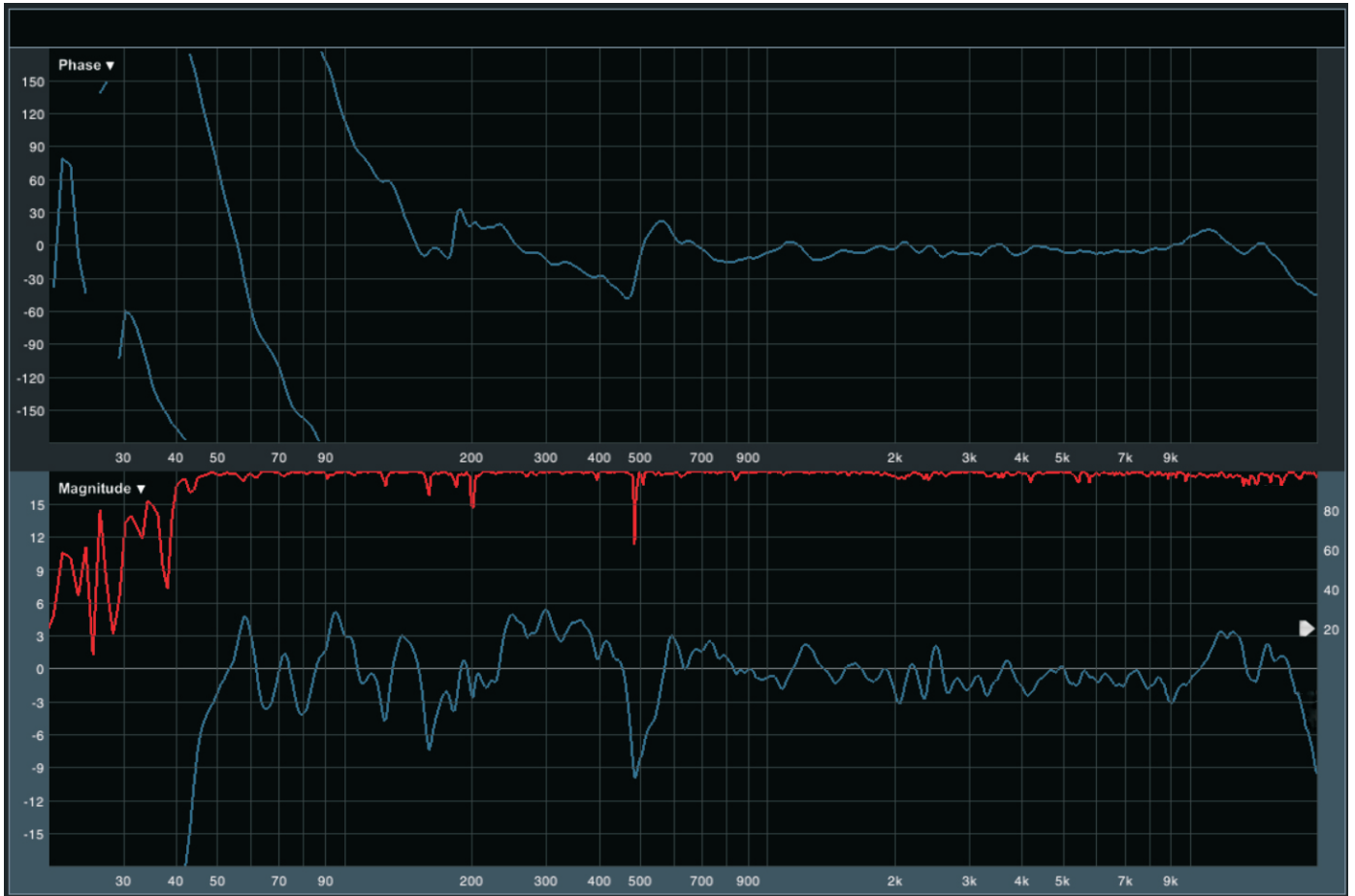
2. With special upper hanger and lower support frame, it can fully meet the needs of various medium and small sound amplifying occasions

## Product technical parameters

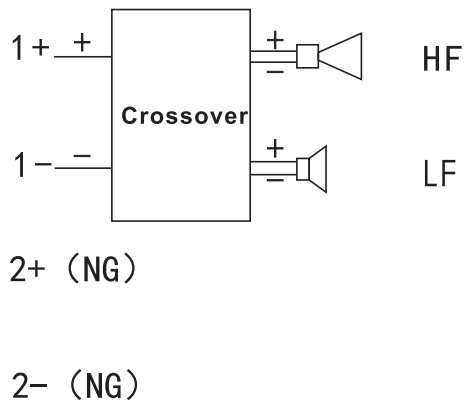
	<b>Full range</b>	<b>Active Ultra-low Frequency</b>
Frequency Response	85Hz-20KHz(-10dB)	45Hz-200Hz(-10dB)
Norminal Dispersion (HxV)	100° x 30°	/
Sensitivity (1W/1m)	99dB	96dB
Max SPL(1m)	124/134dB (continuous / peak)	120/130dB (continuous / peak)
Power Rating(AES)	250W	500W
Norminal Impedance	6Ω	8Ω
Drive Unit	2x6.5" Bass	1x15" Bass
Connect Socket	2 NEUTRIK NL4MP 4-Core Socket LF: 1+1- MHF: 2+2-	1 NEUTRIK NL4MP 4-Core Socket CH2: 1+1- CH3: 2+2-
Rigging	Dedicated Connector	Dedicated Connector
Digital Active Module	/	Digital Active Module
Signal Input	/	2pcs XLR Female (balance) TRS input
Signal Output	/	2pcs XLR Male
High-effect 3-channel Class D amplifier	/	1* 1500W@8Ω+ 2*600W@4Ω
AC Input	/	~220V-230V 50Hz
Dimension (WxDxH)	456×375×190mm	456×456×531mm
Net Weight	15 kg	34kg

\* This User Manual for reference only, no further notice if any contents alter.

## Product curve

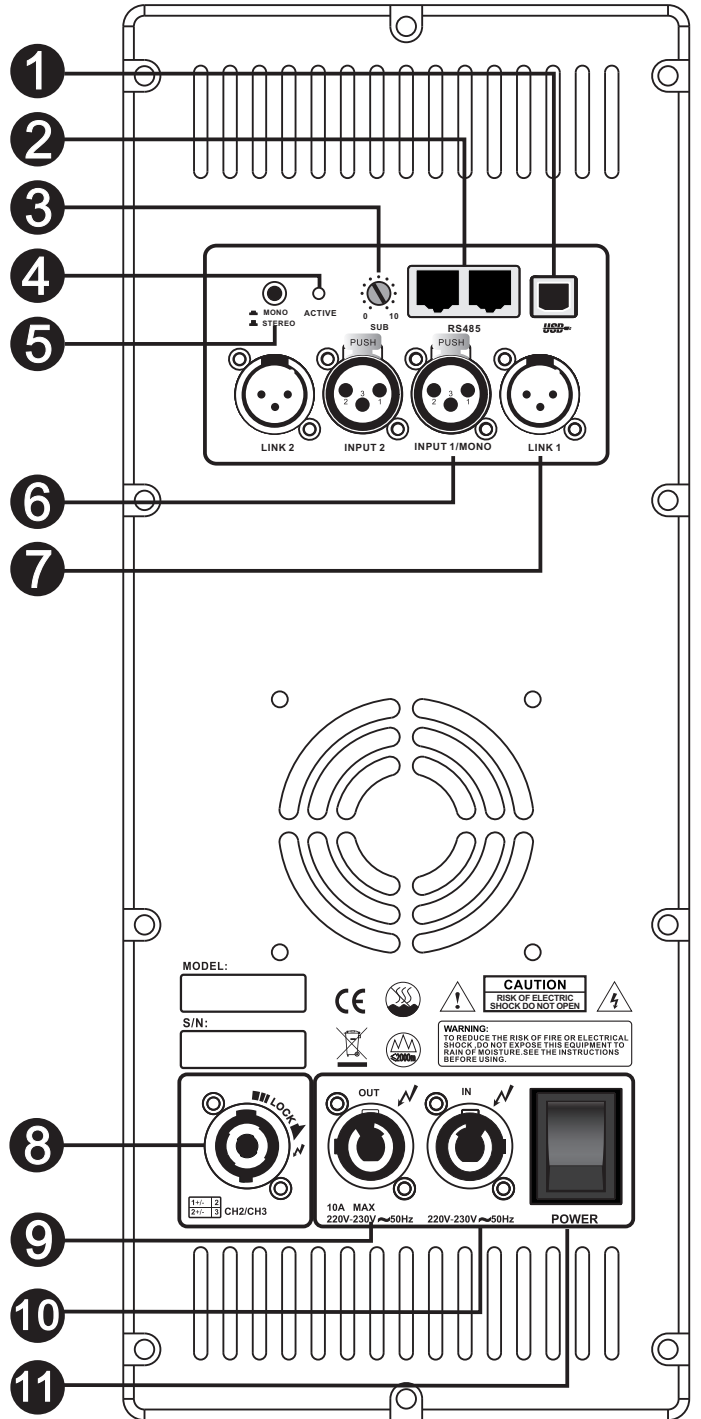
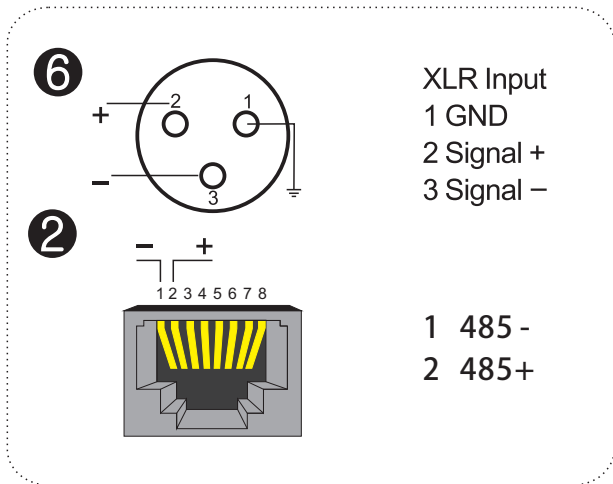


## 2x6.5"–Full range connection



# Operation keys and functions on the rear panel

- ➊ USB data interface
- ➋ RS485 data interface
- ➌ Ultra-low frequency volume
- ➍ Indicator light
- ➎ Input switch
- ➏ Input Canon
- ➐ Output Canon
- ➑ Speaker output interface
- ➒ Power output interface
- ➓ Power input interface
- ➑ Power switch



## Symbols

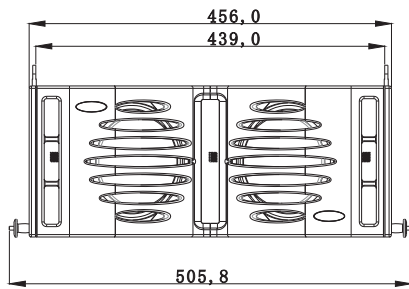
The figure shows that the device is only suitable for safe use in areas with an altitude below 2000m.

The diagram indicates that the equipment is only suitable for safe use in non-tropical climates.

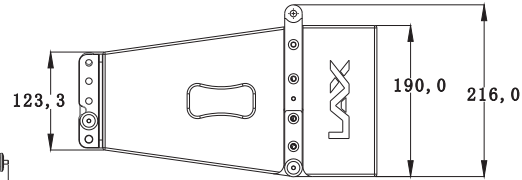


## Product outline drawing

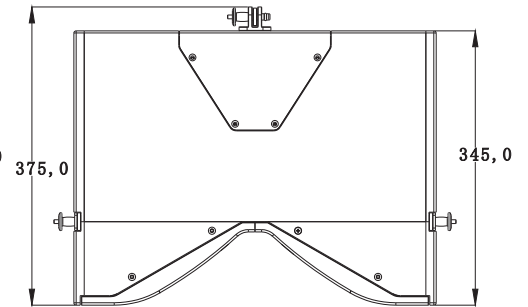
2×6.5" line array speaker



FRONT

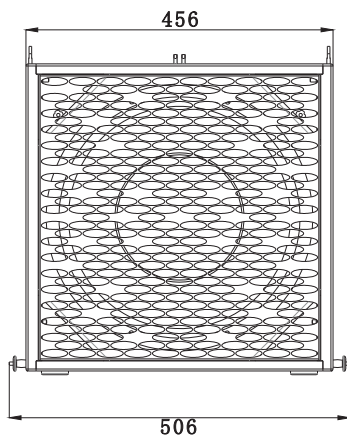


RIGHT/LEFT SIDE

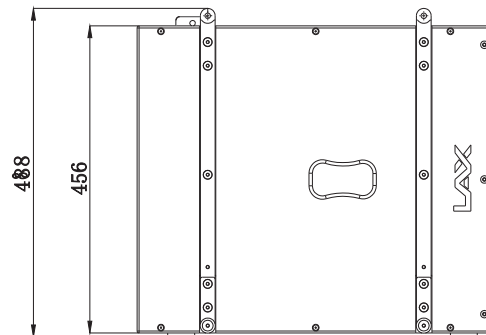


TOP

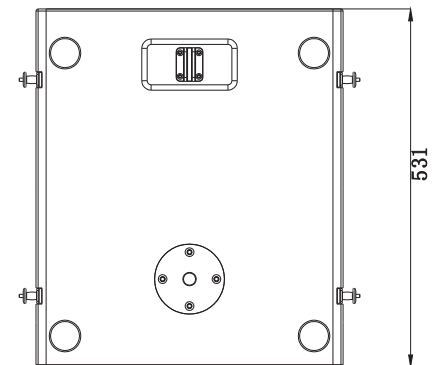
Single 15-inch active subwoofer speaker



FRONT



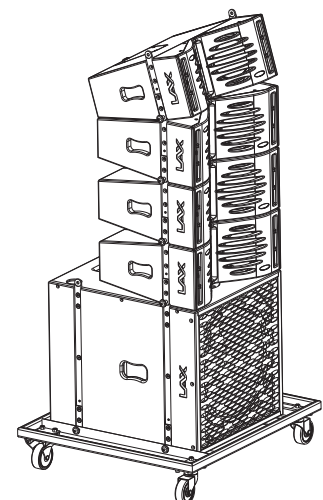
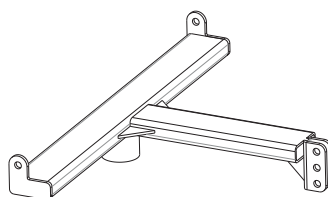
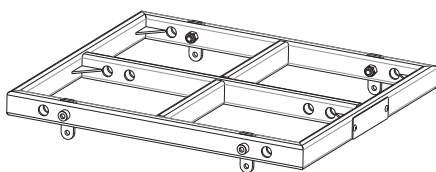
RIGHT/LEFT SIDE



TOP

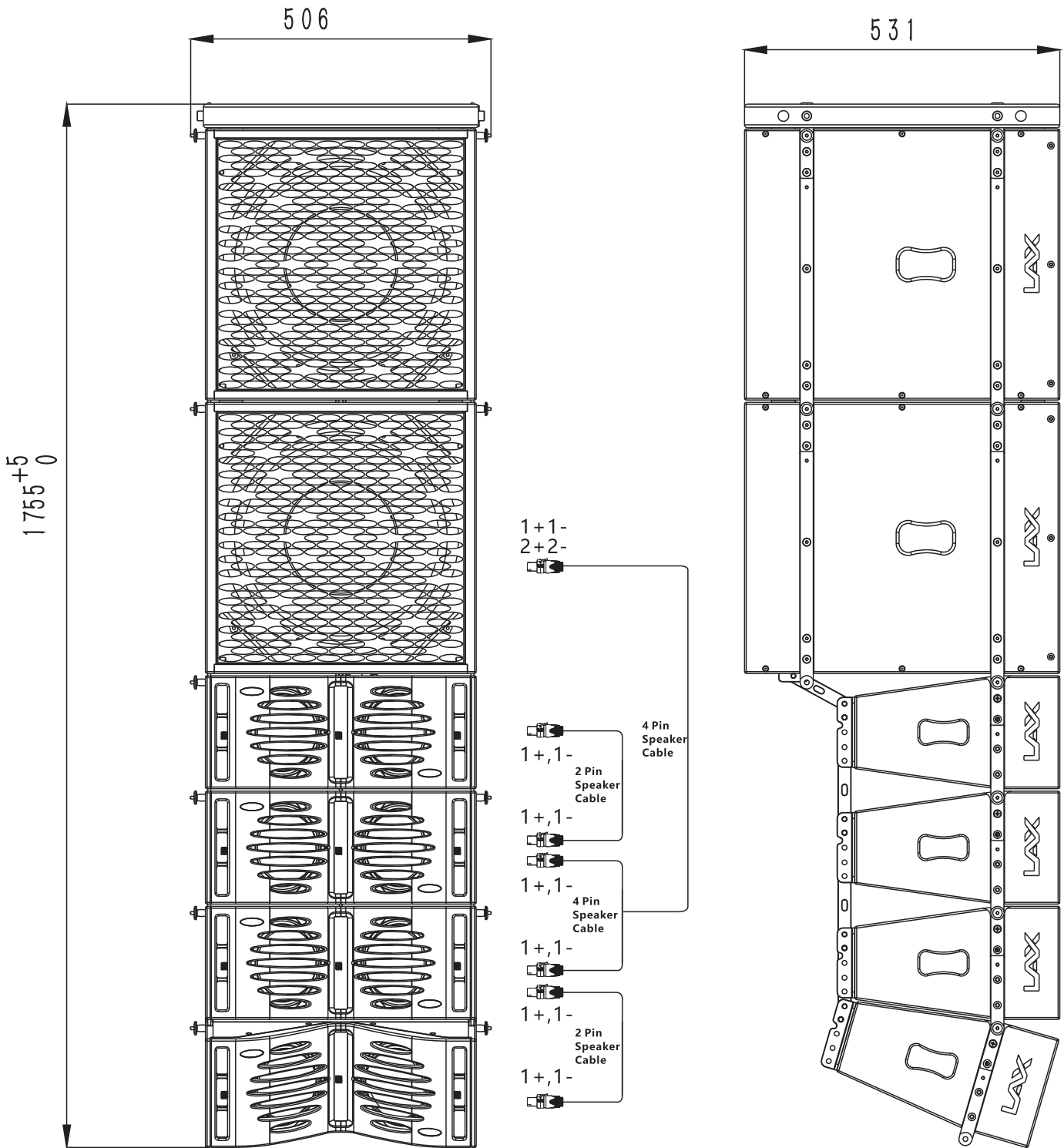
## Hangers/carts :

(according to customer requirements)

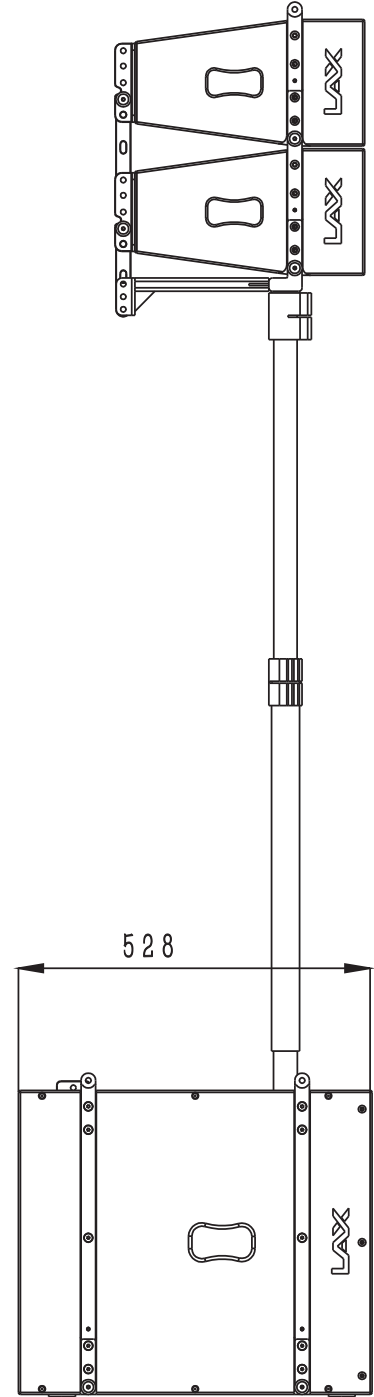
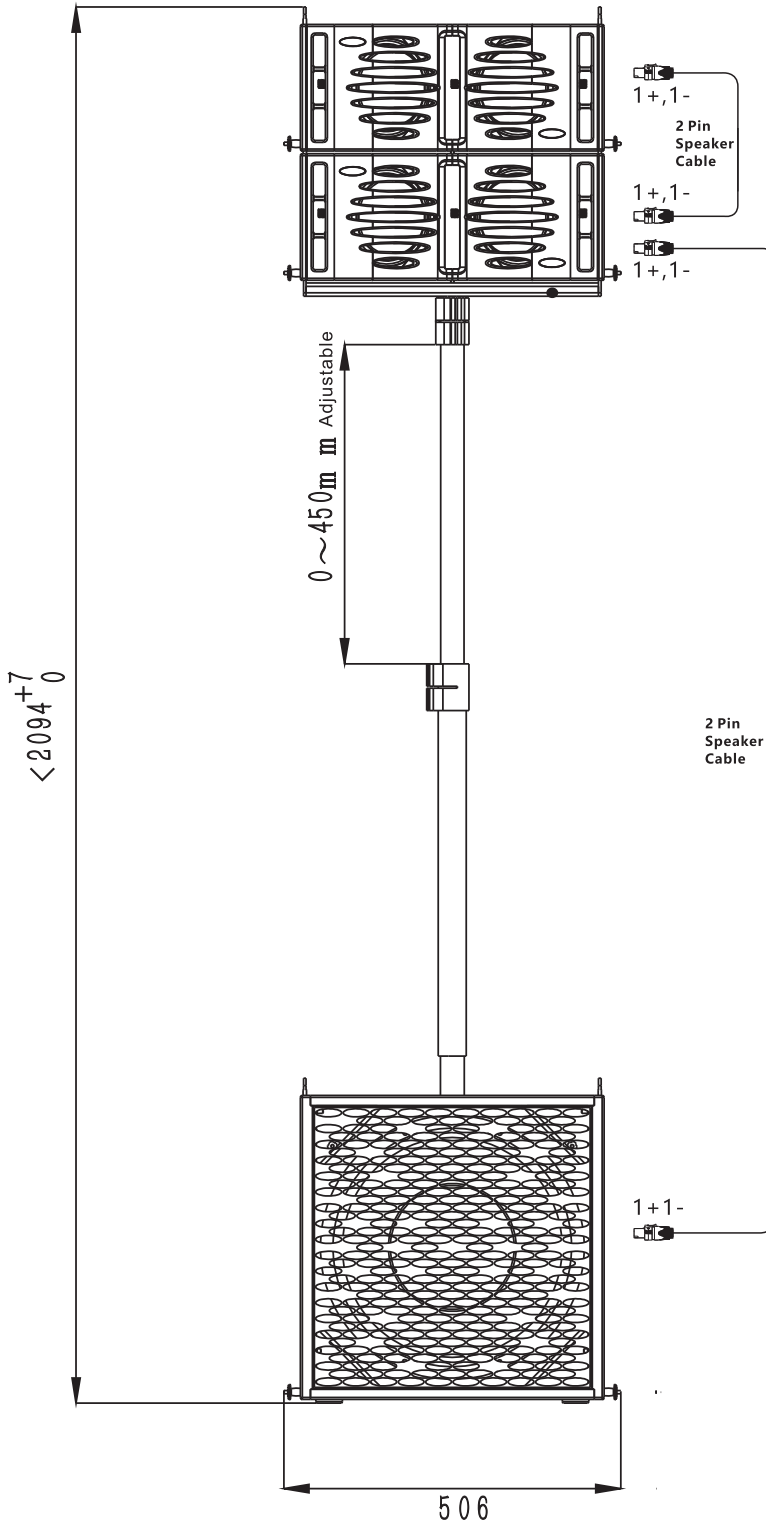


## Product combination and line

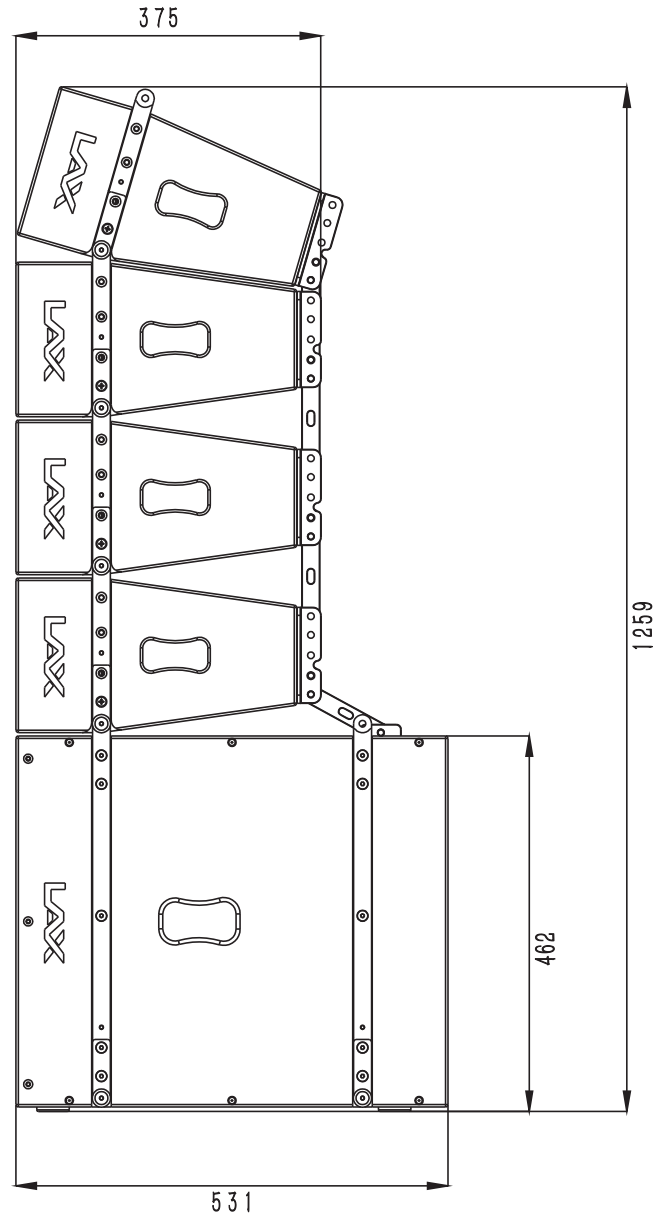
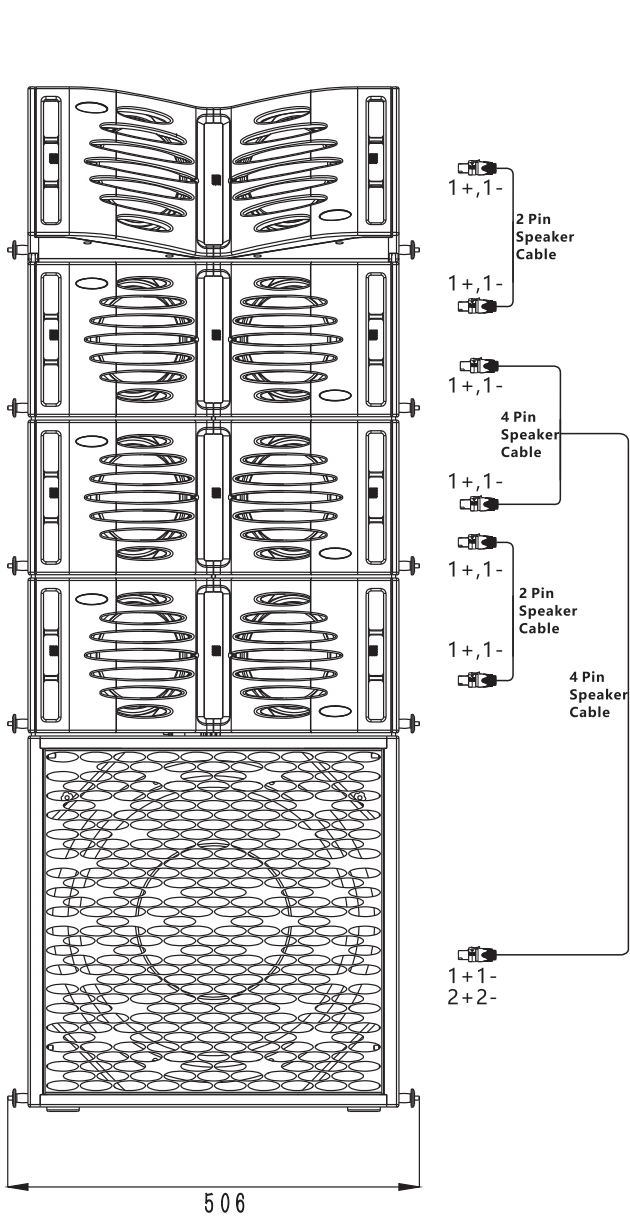
4+2 hanging combination and circuit diagram:



2+1 support combination and circuit diagram:



4+1 arrangement and route diagram:



✂

**LAX<sup>®</sup>**

CERTIFICATION

Model
QA
Date

✂



Guangzhou Ruifeng Audio Technology Co.Ltd

Tel: +86 20 39280103

Fax: +85 20 39280141

Website: [www.lax-pro.com](http://www.lax-pro.com)

Address: NO.10 Shilou Section, Shilian Road,  
Shilou Town, Panyu District,  
Guangzhou City, China 511447