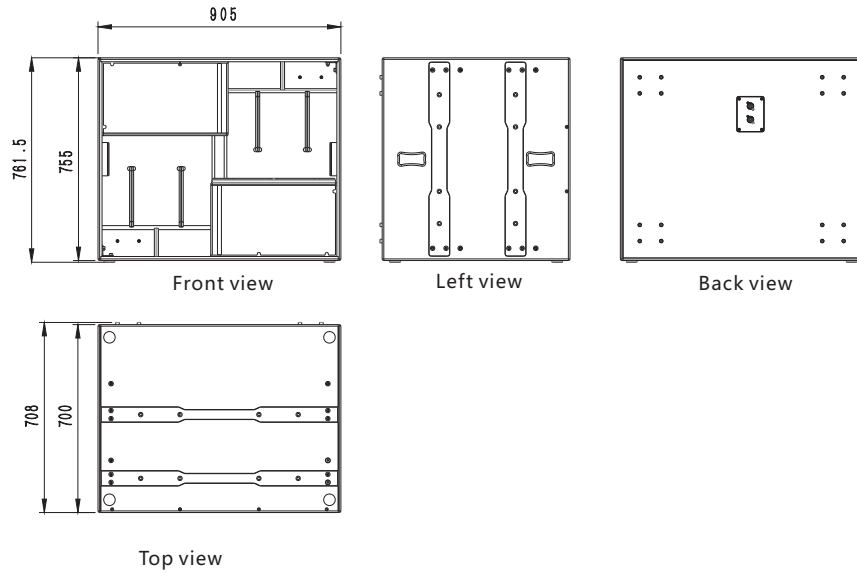
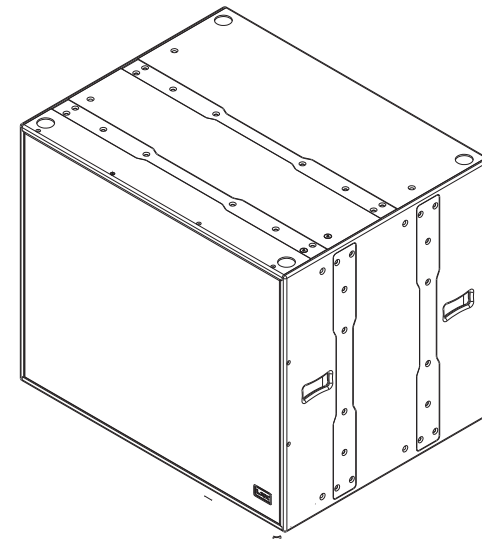


● EXTERNAL DRAWING



SUBWOOFER

USER MANUAL



The appearance is for reference only, the concrete security kind



Guangzhou Ruifeng Audio Technology Co.Ltd

Tel: +86 20 39280103

Fax: +85 20 39280141

Website: www.lax-pro.com

Address: NO.10 Shilou Section, Shilian Road,
Shilou Town, Panyu District,
Guangzhou City, China 511447

V.1.0 2023-11-13

2×18"

SUBWOOFER

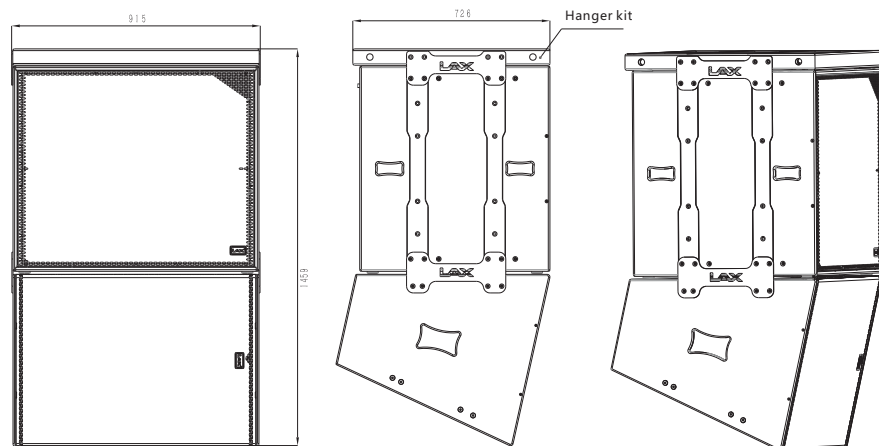
● SERIES APPLICATIONS

Sports venues, swimming pools, theaters, lecture halls, ball rooms, auditoriums.

● PRODUCT FEATURES

This product is a pair of 18-inch front-loaded subwoofers. As a supplement to the low-frequency unit of this series of speakers, the heavy-duty cabinet structure is designed to accommodate two full-range combination installations. The front horn-type structure improves sensitivity and the rear optimizes the long reversal of transients, making it ideally suited for long reverberation spaces. The box body is made of imported birch wood, and the surface is sprayed with military-grade waterproof paint. The protective surface of the speaker unit is equipped with a high-strength speaker mesh and is covered with acoustically transparent mesh cotton.

● HANGING METHOD (ADDITIONAL ACCORDING TO CUSTOMER REQUIREMENTS)



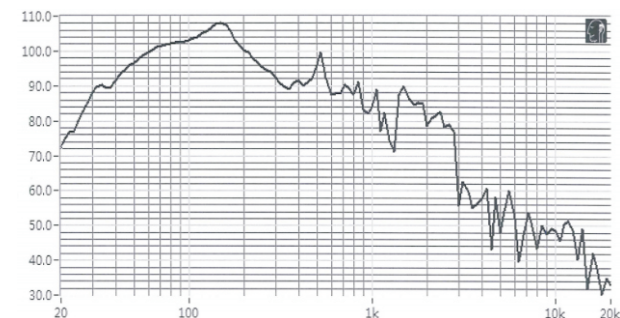
● WIRING DIAGRAM

1+ (NG)
1- (NG)

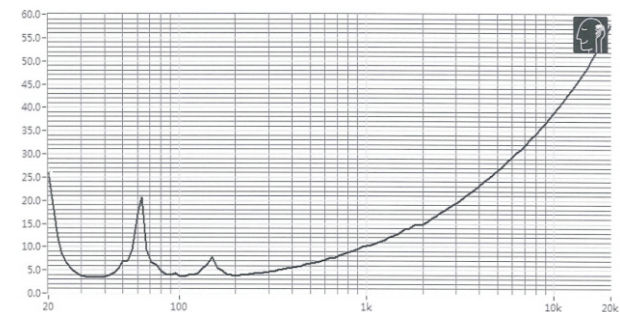
2+  Low frequency
2- 

● PRODUCT CURVE

Frequency response curve



Impedance curve



● TECHNICAL PARAMETER

Frequency response	40Hz ~ 200Hz(-10dB)
Sensitivity(1W1m)	104dB
Nominal impedance	4Ω
Rated power(AES)	1600W
Maximum sound pressure level	140dB (peak)
Dimensions(WxDxH)	905×755×700mm
Weight	94.6Kg