

ATL18B

AT Series Line Array

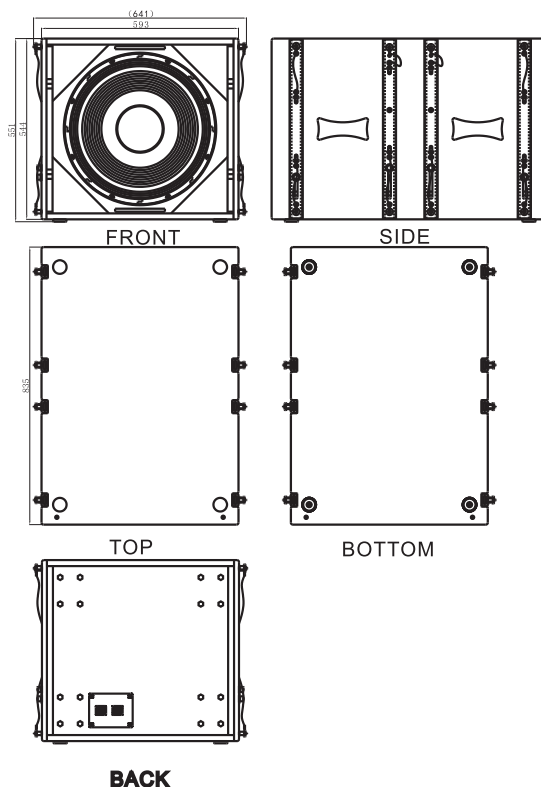


1×18" Subwoofer

Applications

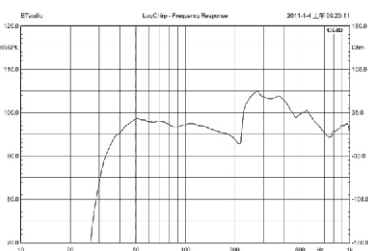
- Main speaker for sound reinforcement system.
- Theatre, auditorium, live performance, places of worship.
- Stadium, conference room, multipurpose.
- Clubs & Disco

Dimension

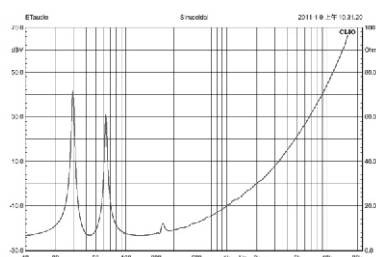


ATL18B can be used with AT110 to make a line array. It includes a 4-inch voice coil, 18-inch cone driver. The voice coil has double surface of heat dispersion, which ensures the system operation with high efficiency and durability. The innovated bass reflex structure reduces maximum the airflow noise through the tubes.

Frequency Response



Impedance



Technical specifications

Frequency response	40Hz-150Hz(±3dB) 30Hz-250Hz(-10dB)
Sensitivity(1W/1m)	98dB
Rated power(AES)	900W
Nominal impedance	8 ohm
LF	18" 100mm voice coil
Enclosure	Phase inverted
Max SPL	127dB(continuous), 133dB(peak)
Connector	2 SPEAKON NL4MP 2+ 2-
Dimension(WxDxH)	641x835x551mm
Weight	61kg