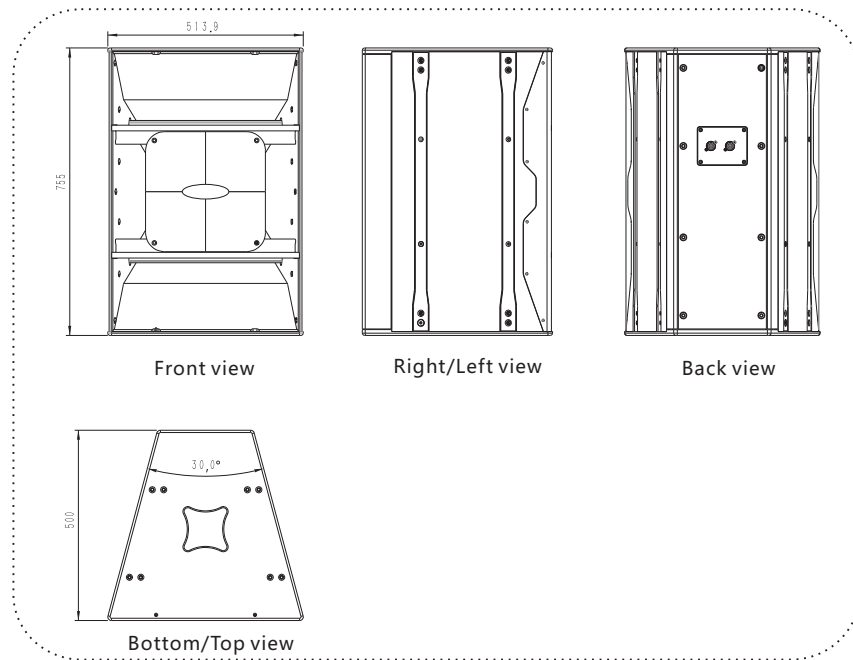
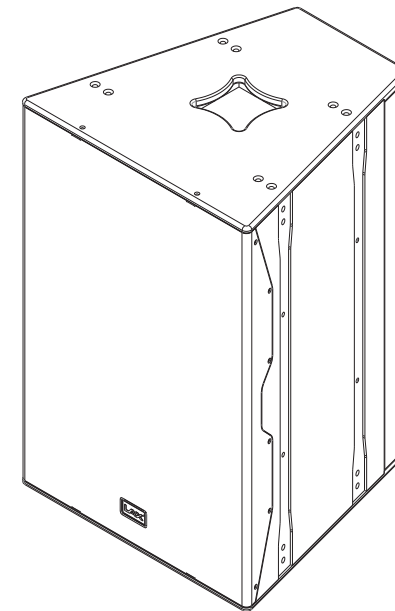


● EXTERNAL DRAWING



THREE-WAY BI-AMP BEAM ARRAY SPEAKER
USER MANUAL



The appearance is for reference only, the concrete security kind



Guangzhou Ruifeng Audio Technology Co.Ltd

Tel: +86 20 39280103

Fax: +85 20 39280141

Website: www.lax-pro.com

Address: NO.10 Shilou Section, Shilian Road,
Shilou Town,Panyu District,
Guangzhou City,China 511447

V.1.0 2023-11-13

2×10"

THREE-WAY BI-AMP BEAM ARRAY SPEAKER

● SERIES APPLICATIONS

Sports venues, swimming pools, theaters, lecture halls, ball rooms, auditoriums.

● PRODUCT FEATURES

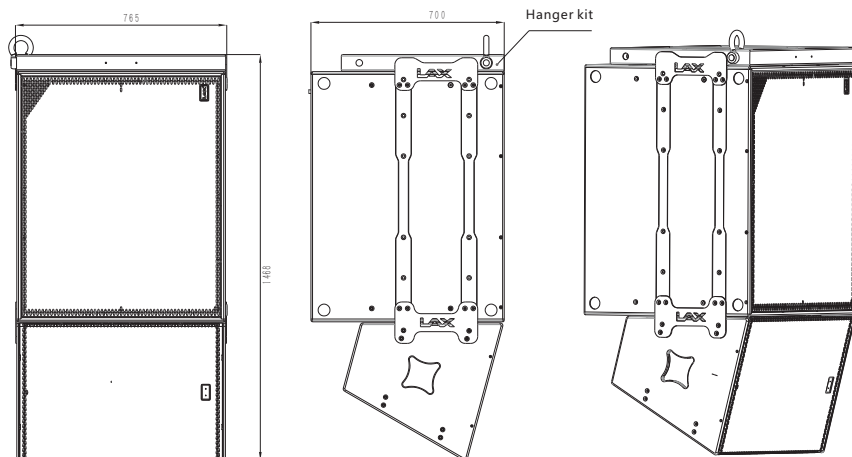
This product uses physical wavelength constraint to achieve full-frequency sound wave constraint. Achieved a breakthrough and transformation from sound amplification to voice control. The low-frequency band can be controlled similarly to the high-frequency directivity to achieve a "flashlight" acoustic effect, greatly increasing direct sound and improving the clarity of sound reinforcement. The speaker adopts an excellent dual-driver folding horn beam scheme for the mid-bass. The folded horn does not increase the size of the speaker too much.

The mid- and high-frequency drivers use coaxial and common horns, and the controlled mid- and high-frequency wavelength matching is seamlessly connected to the low-frequency horn, which can be regarded as a powerful horn beam structure.

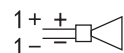
The box body is made of imported birch wood, and the surface is sprayed with military-grade waterproof paint. The protective surface of the speaker unit is equipped with a high-strength speaker mesh and is covered with acoustically transparent mesh cotton.

● HANGING METHOD

(ADDITIONAL ACCORDING TO CUSTOMER REQUIREMENTS)



● WIRING DIAGRAM

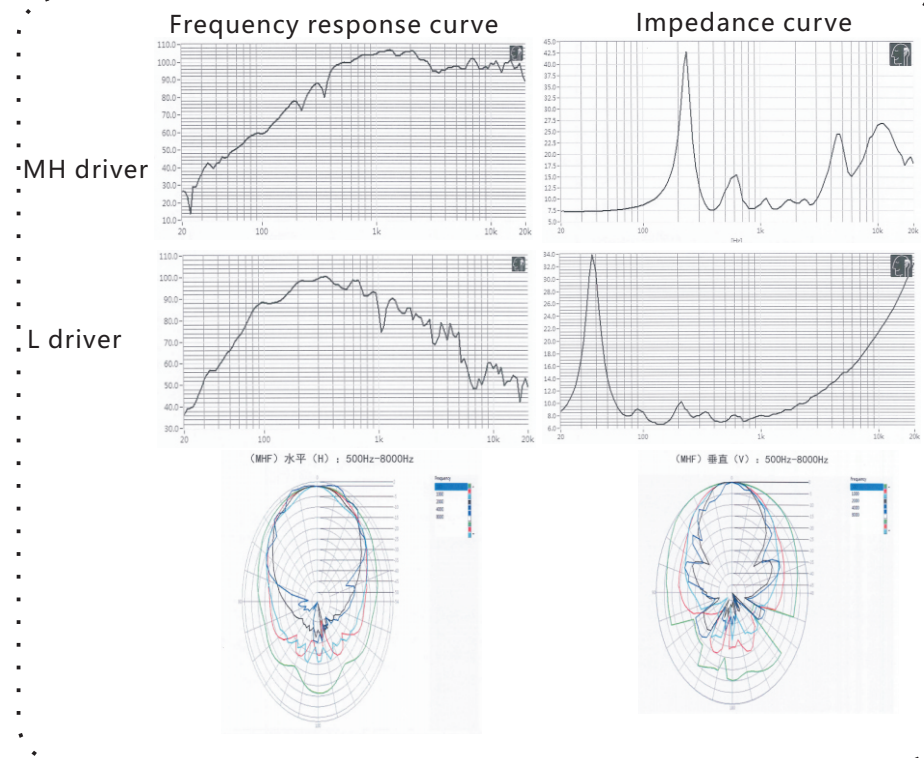


Low frequency



medium and high frequency

● PRODUCT CURVE



● TECHNICAL PARAMETER

| | |
|------------------------------|---|
| Frequency response | 80Hz - 19kHz(-10dB) |
| Sensitivity(1W1m) | Low frequency105dB;medium and high frequency110dB |
| Nominal impedance | Low frequency8Ω;medium and high frequency8Ω |
| Rated power(AES) | Low frequency400W;medium and high frequency80W |
| Nominal coverage angle(HxV) | 70°x50° (horn can be rotated 90°) |
| Maximum sound pressure level | Low frequency:126dB (continuous), 137dB (peak) medium and high frequency:128dB (continuous),140dB (peak) |
| Dimensions(WxDxH) | 514×500×755mm |
| Weight | 46.1kg |