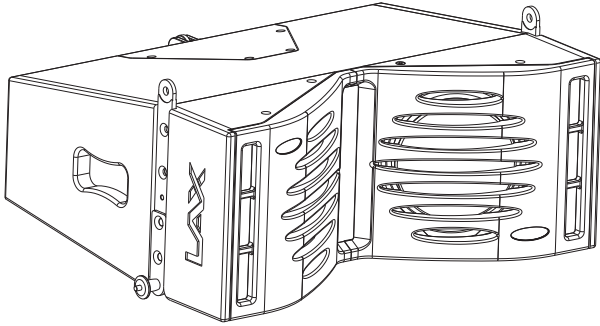


2×6.5" Two-way Full Range Line Array



Product major feature

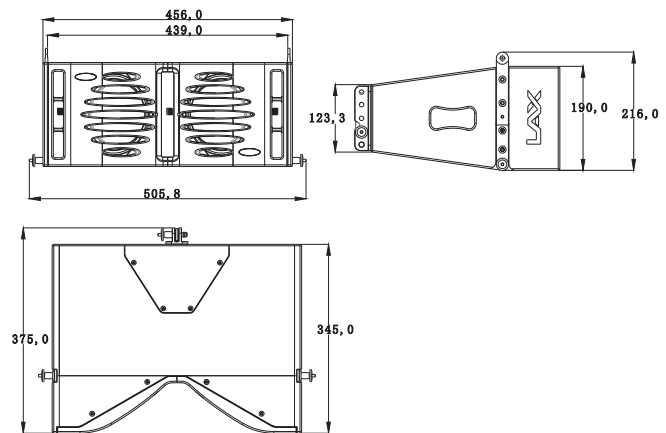
● 2×6.5" line array speaker is a miniaturized and flexible sound amplification system, bringing greater convenience to performance. The strict cylindrical sound source waveguide and the speaker distance meet the performance requirements of the stack +6dB line array. Mid - and low-frequency phase correctors, diffusion horn and compression chamber are integrated.

- The appearance panel is available in a variety of color schemes, including LAX yellow and deep purple on top of the traditional black.
- A compression drive unit is used to load the linear waveguide for high frequency, and its outlet happens to form a common cell diffusion structure with the compression cavity of medium frequency. Neodymium magnetic high sensitivity double 6.5-inch custom unit is adopted for low and medium frequency. In order to enhance its sensitivity, the compression chamber is carefully designed. Its outlet end is an integrated panel horn, which makes its pointing performance more smooth.
- It can be matched with single 15-inch bass to achieve the combination of medium and small amplifying sound. With flexible combination form, 2+1 support combination, 4+ 1 stacking combination, 4+2 hanging combination.

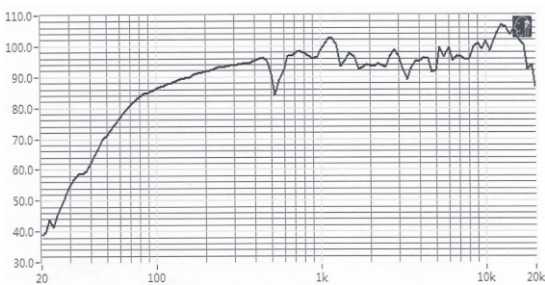
Applications

- Main speaker for sound reinforcement system.
- Theatre, auditorium, live performance, places of worship.
- Stadium, conference room, multipurpose.
- Clubs & Disco.

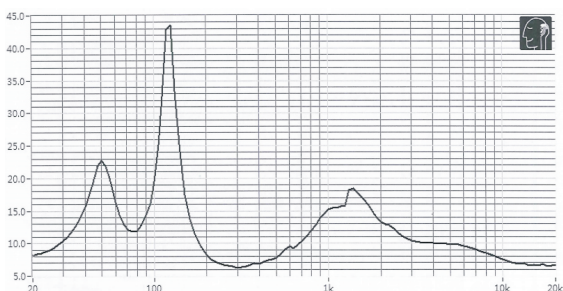
Dimension



Frequency Response



Impedance



Technical specifications

Type	2x6.5" two-way full range speaker
Frequency response	85Hz ~ 20kHz (-10dB)
Sensitivity(1W/1m)	99dB
Rated power(AES)	250W
Nominal impedance	6 ohm
Dispersion(H×V)	100°×30°
Max SPL	121dB(continuous), 134dB(peak)
Connector	2 SPEAKON NL4MP 1+ 1-
Dimension(WxDxH)	456x375x190mm
Weight	15kg