



CC808
Full Range Speaker
User Manual

Manufacturer: Guangzhou Ruifeng Digital Technology Co., Ltd.
Address: No.10, Shilou Section, Shilian Road, Panyu District,
Guangzhou, Guangdong, P.R.C

CC808

Dual 8 inch Two-way Full Range Speaker

Application:

- Classroom, conference room, music restaurant, home theater
- Main sound reinforcement for small venues, auxiliary speakers, surround

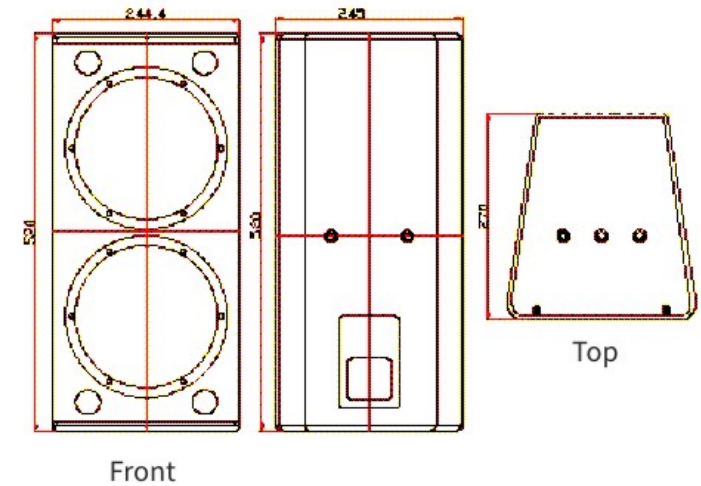
Product Features:

1. Dual 8-inch paper cone ferrite low-frequency units, one of which is combined with a 1-inch titanium film high-frequency compression unit to form a coaxial structure, which optimizes the driver's working environment and makes the sound reproduction more natural. Dual 8-inch configuration for mid-low frequency more energy.
2. Wide-angle pointing design, uniform and smooth frequency response.
3. Two-frequency single driver, carefully tuned frequency divider, high-fidelity capacitors, and more delicate high-frequency details.
4. Compact box design, sprayed with environmentally friendly bright paint, beautiful appearance. Plywood material, longer life and better sound.
5. Iron powder-sprayed 4mm black dust net provides excellent protection and makes the speaker look more detailed.
6. Humanized lifting point, easy to install and configure bottom bracket.
(Universal KTV Hanger)

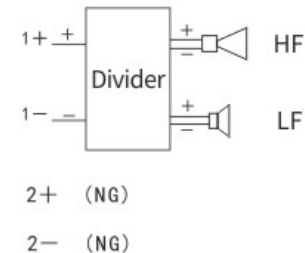
Technical Specification:

Frequency Response	65Hz-20kHz (-10dB)
Sensitivity (1W/1m)	92dB
Nominal Impedance	4Ω
Rated Power (AES)	250W
Dispersion(H X V)	90° (H) × 90° (V)
Maximum SPL	118dB (Continuous) , 124dB (Peak)
Connections	Neutrik NL4MP 4 core socket 1+1- full range input
Hardware	M8 hanging points, pole mount/cap
Dimensions (W X D X H)	270×245×520mm
Net weight	11.25kg

Outline



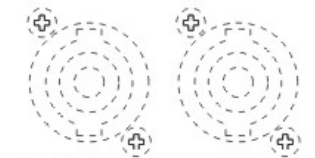
Connections



Wiring

LAX[®]

Model Name: Full Range Speaker
Model No.: CC808
Driver: 2 x 8" two-way
Dispersion(H X V): 90° × 90°
Frequency Response: 65HZ-20KHZ
Rated Power (AES): 250W (AES)
Nominal Impedance: 4Ω



Connections: 1+1-
Manufacturer: Guangzhou Ruifeng Digital Technology Co., Ltd.
Address: No.10,Shilou Section,Shilian Road,Panyu District,
Guangzhou, Guangdong, P.R.C

Wiring Panel